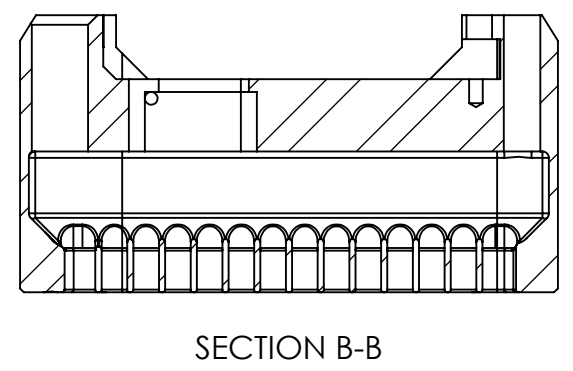
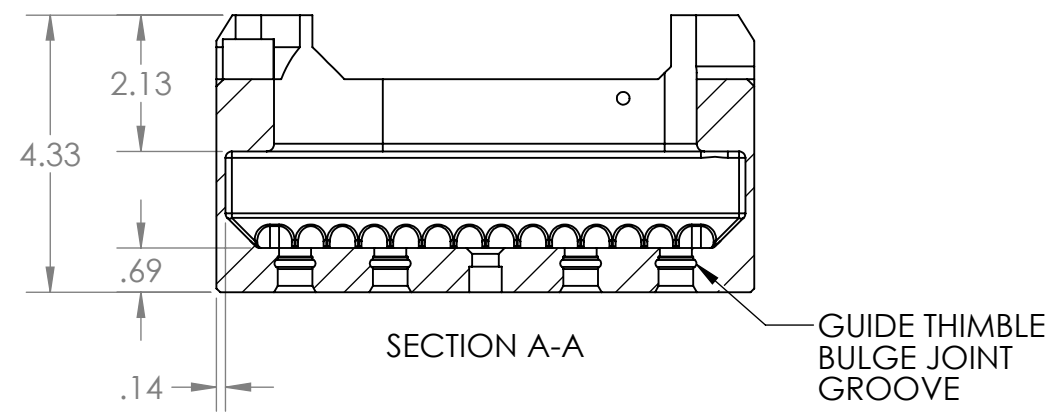


DESIGN REFINEMENT  
NEEDED FOR FLOW HOLE  
PATTERN, SIZE, AND SHAPE



MATERIAL: AISI 304  
WEIGHT: 18.678lbs



|                                  |                   |
|----------------------------------|-------------------|
| PROJECT:<br>Open100              |                   |
| TITLE:<br>Fuel Bundle Top Nozzle |                   |
| DRAWN BY:<br>JAS                 | DATE:<br>2/9/2021 |
| PAPER SIZE:<br>B                 | SHEET:<br>1 OF 1  |

NOT FOR CONSTRUCTION