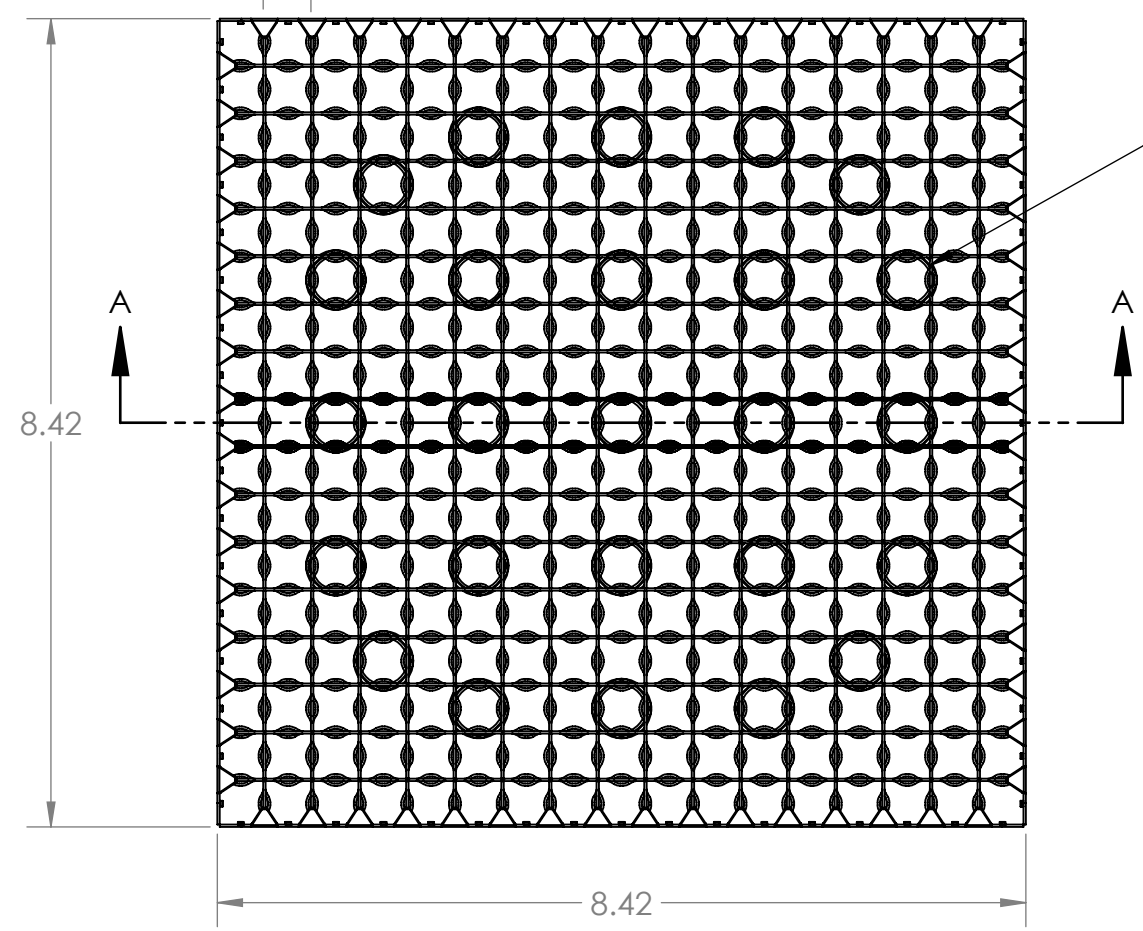
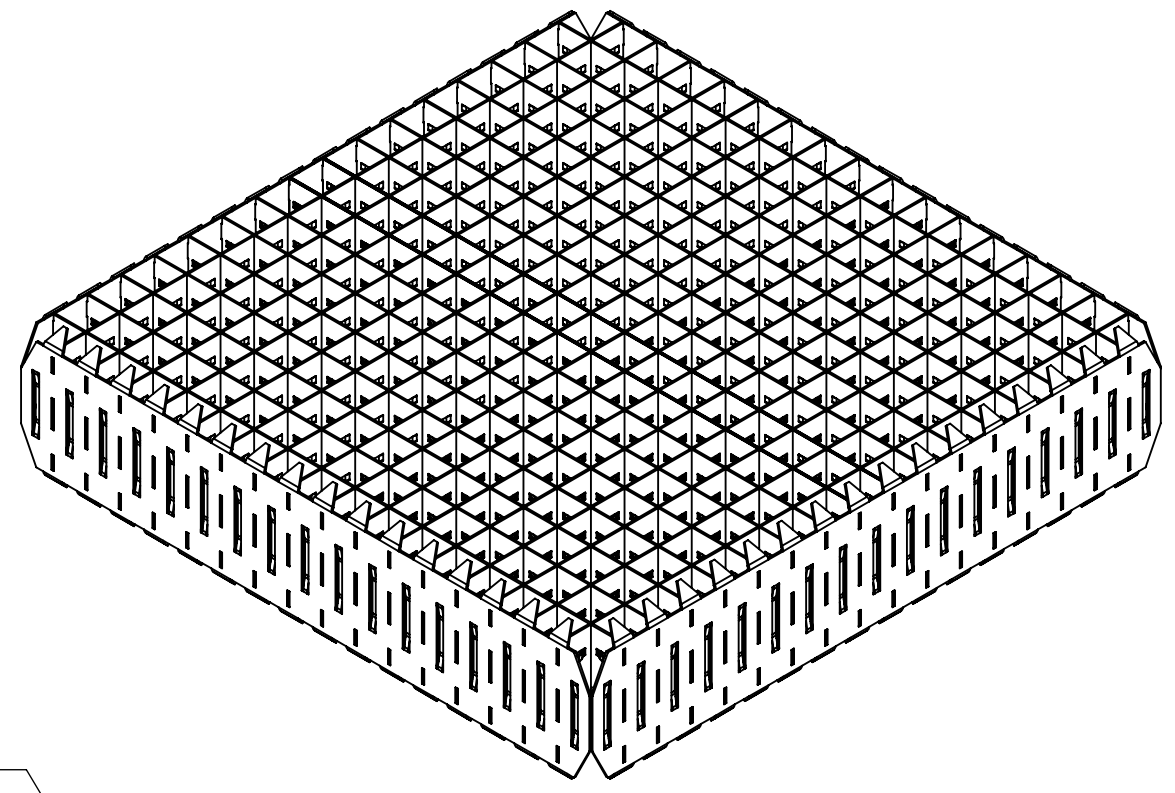


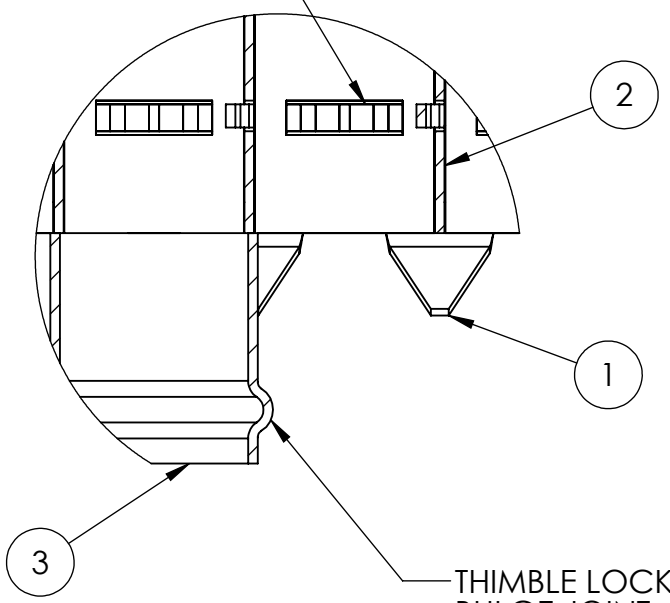
.496 TYP SPACING



DESIGN REFINEMENT NEEDED FOR GUIDE THIMBLE CELLS

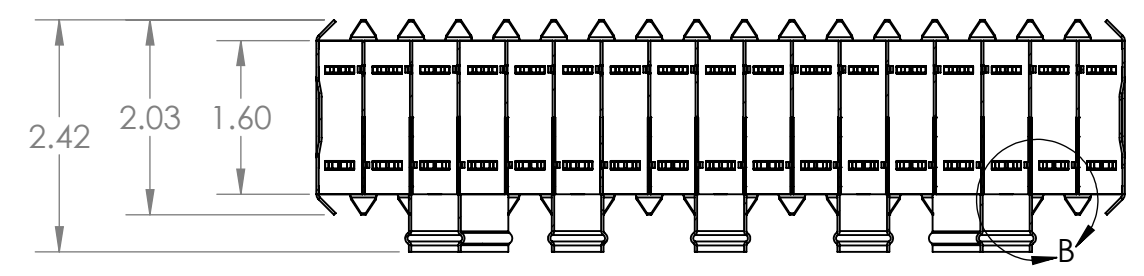


FUEL ROD ALIGNMENT DIMPLE



DETAIL B SCALE 2:1

THIMBLE LOCKING BULGE JOINT



SECTION A-A

MATERIAL: Inconel
WEIGHT: 3.962lbs



PROJECT: Open100

TITLE: Bottom Grid Assy

DRAWN BY: JAS DATE: 2/8/2021

PAPER SIZE: B SCALE: 1:2 SHEET: 1 OF 1

ITEM NO.	Title	MATERIAL	WEIGHT	QTY.
1	Bottom Grid Ext Strap	Inconel	0.105	4
2	Bottom Grid Int Strap	Inconel	0.098	34
3	Grid Bulge Joint Sleeve	Inconel	0.008	25

NOT FOR CONSTRUCTION