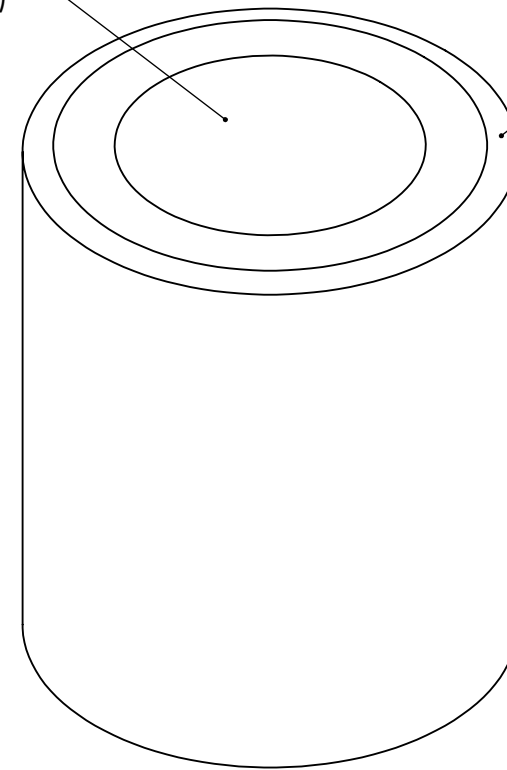


END DIMPLES FOR
EXPANSION
ALLOWANCE
(BOTH ENDS)



CHAMFER TO REDUCE
HANDLING DAMAGE
(BOTH EDGES)

MATERIAL: Uranium Dioxide Fuel
WEIGHT: 0.012lbs



PROJECT:
Open100

TITLE:
Fuel Pellet

DRAWN BY: JAS DATE: 2/12/2021

PAPER SIZE: B SCALE: 8:1 SHEET: 1 OF 1

NOT FOR CONSTRUCTION