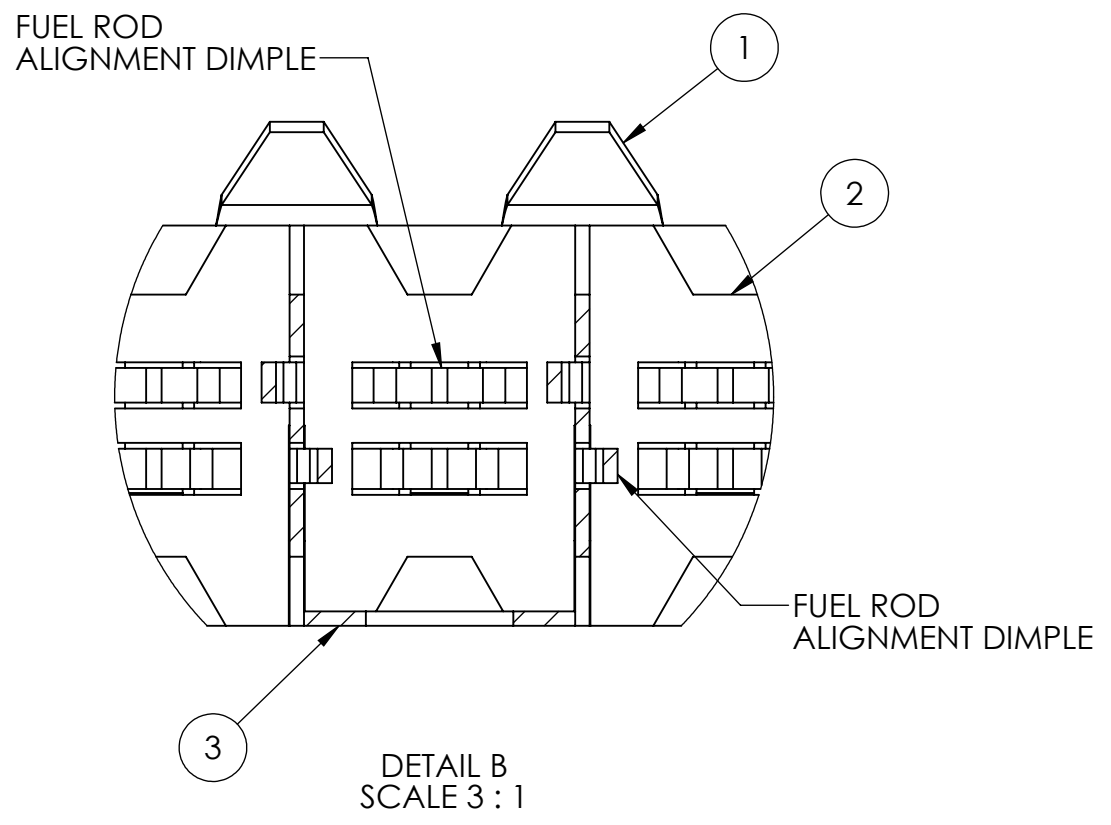
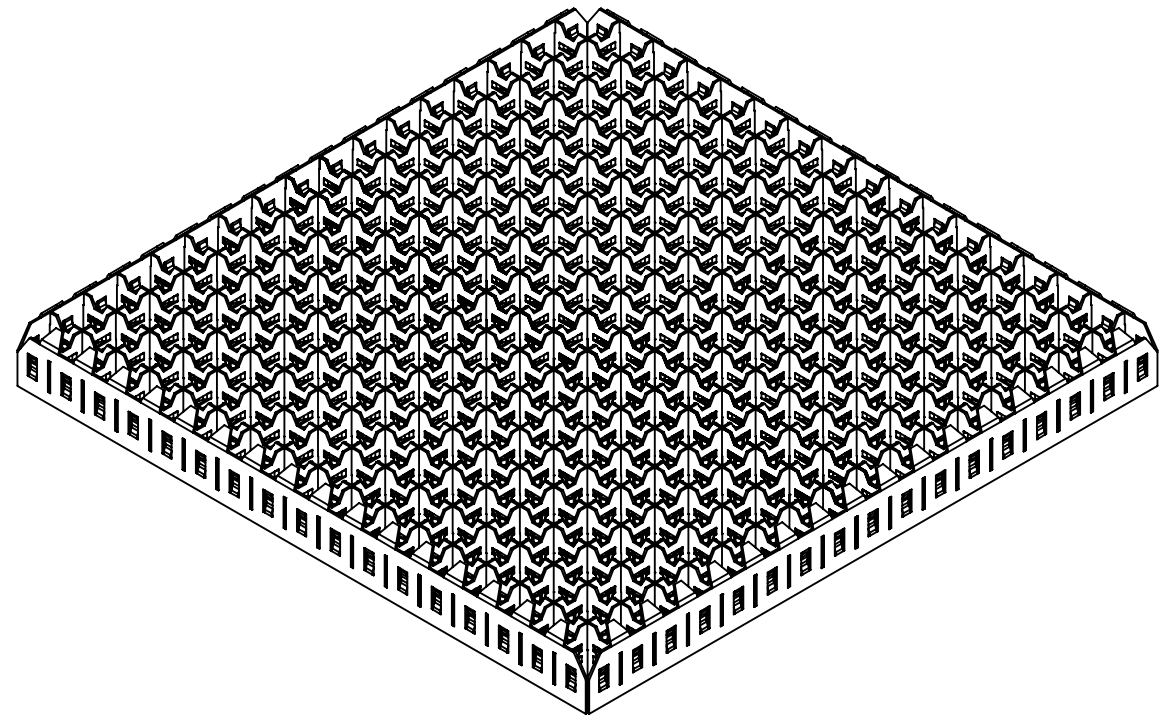


DESIGN REFINEMENT  
NEEDED FOR GUIDE  
THIMBLE CELLS



MATERIAL: Inconel  
WEIGHT: 1.430lbs



PROJECT:	Open100		
TITLE:	Protective Grid Assy		
DRAWN BY:	JAS	DATE:	2/8/2021
PAPER SIZE:	B	SCALE:	1:2
SHEET:	1 OF 1		

ITEM NO.	Title	MATERIAL	WEIGHT	QTY.
1	Protective Grid Exterior Strap	Inconel	0.046	4
2	Protective Grid Interior Strap	Inconel	0.036	34
3	Protective Grid Spacer Plate	Inconel	0.001	4

NOT FOR CONSTRUCTION